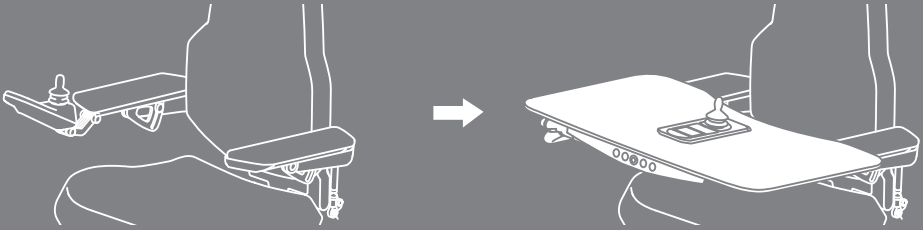
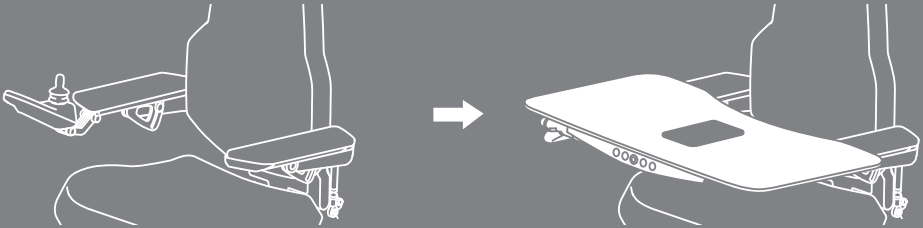


420800000104 / 420800000105 /
420800000106 / 420800000107 /
420800000108 / 420800000109

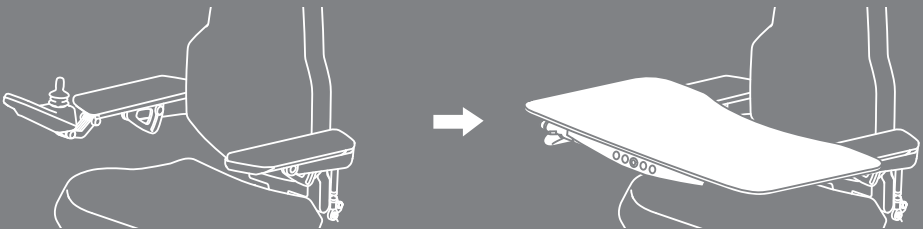
karma
A Better Wheelchair, A Better Fit

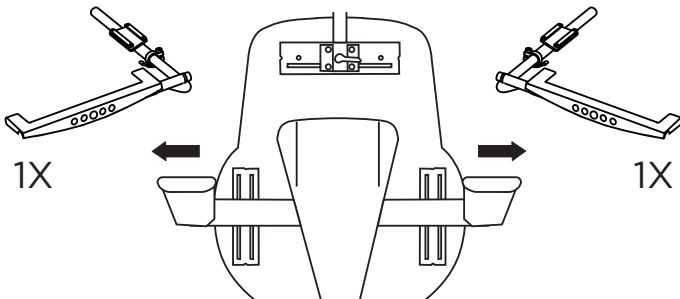
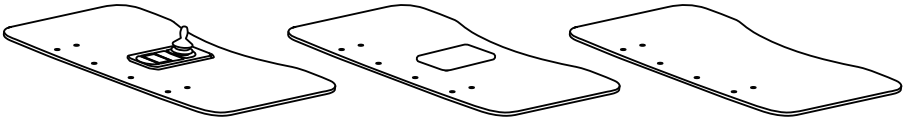
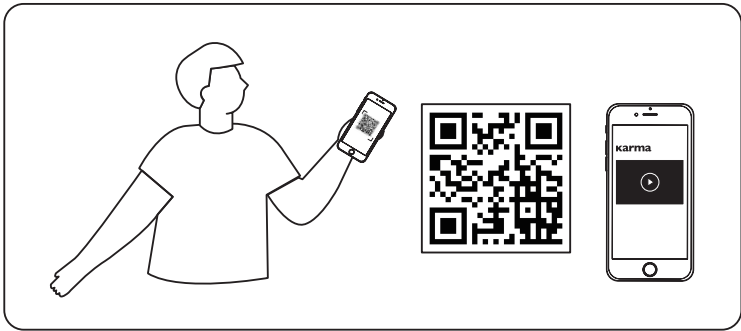
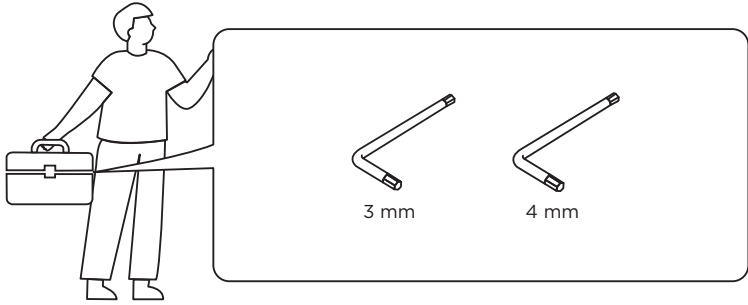


424000000005 / 424000000006 /
424000000007 / 424000000008 /
424000000009 / 424000000010

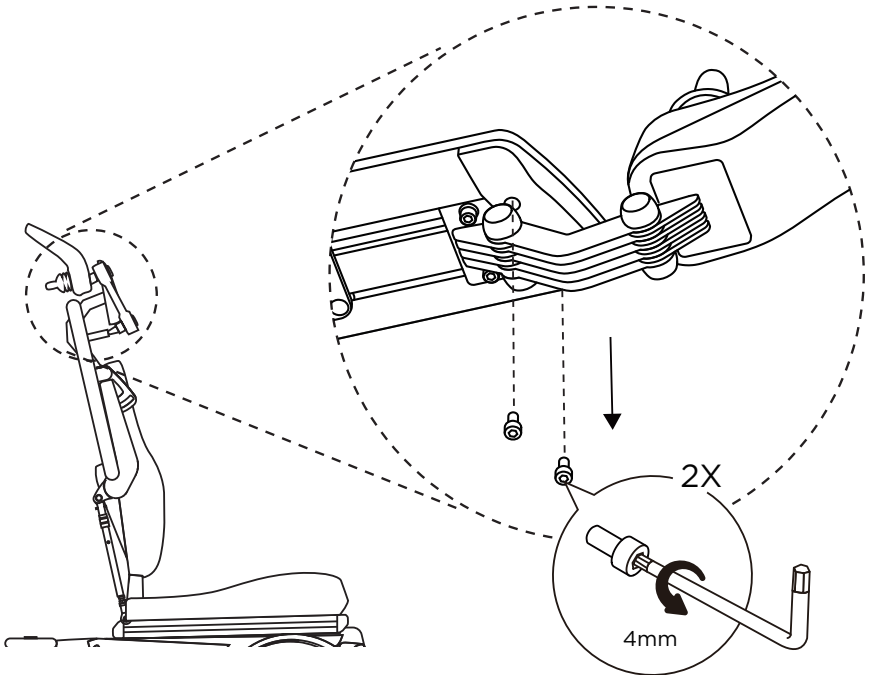
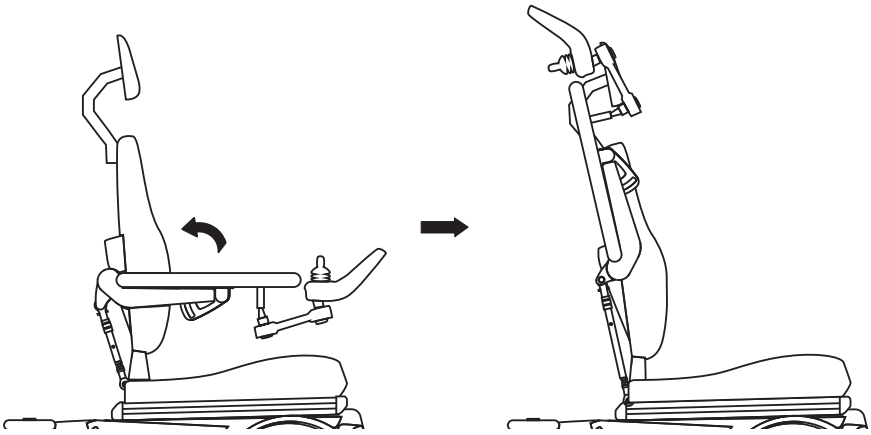


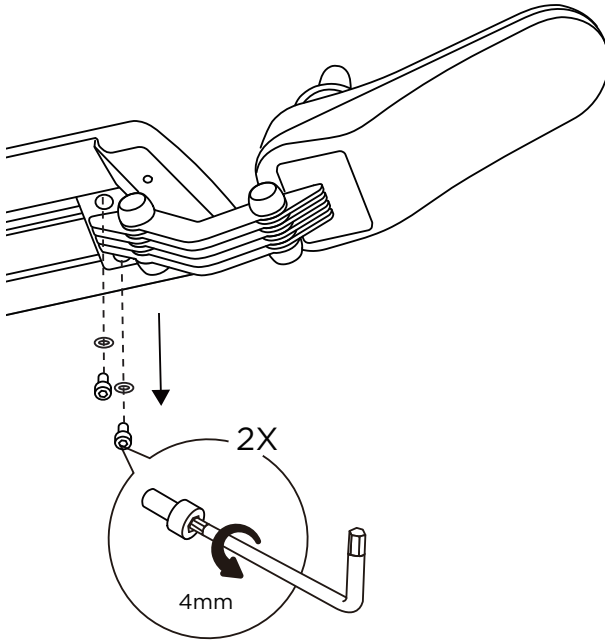
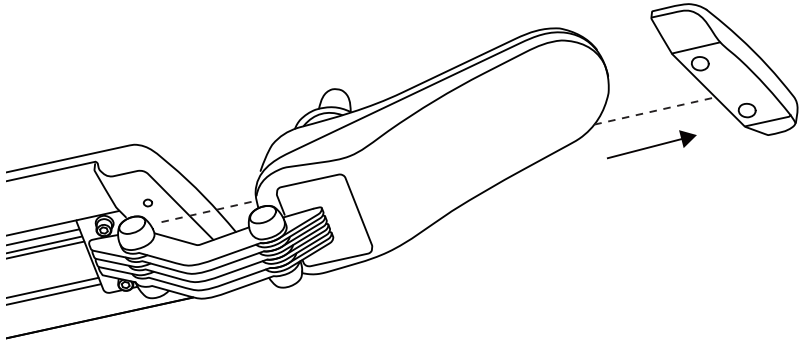
420800000098 / 420800000099 /
420800000100 / 420800000101 /
420800000102 / 420800000103

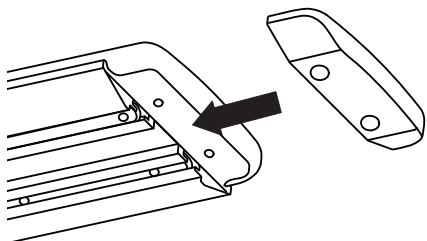
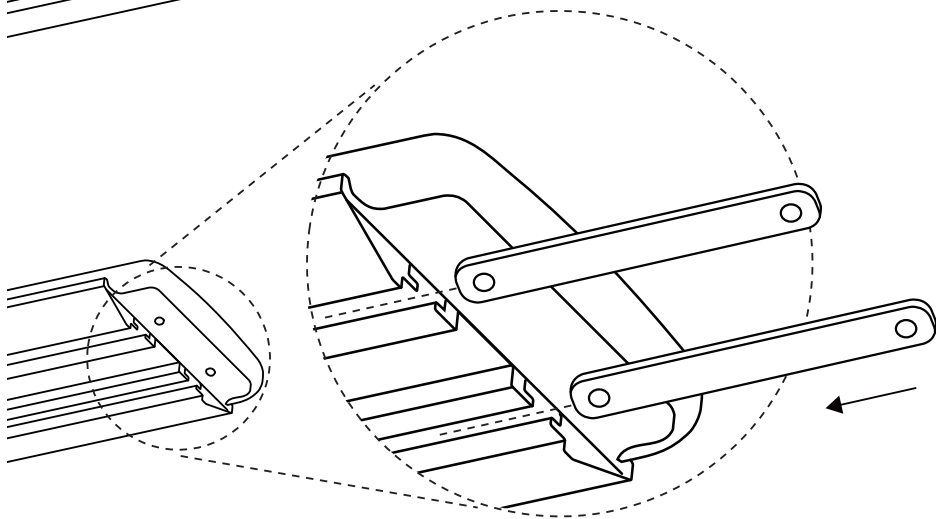
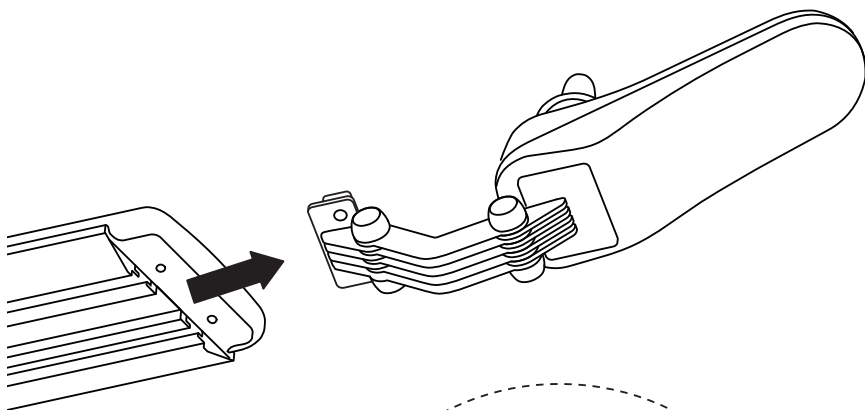


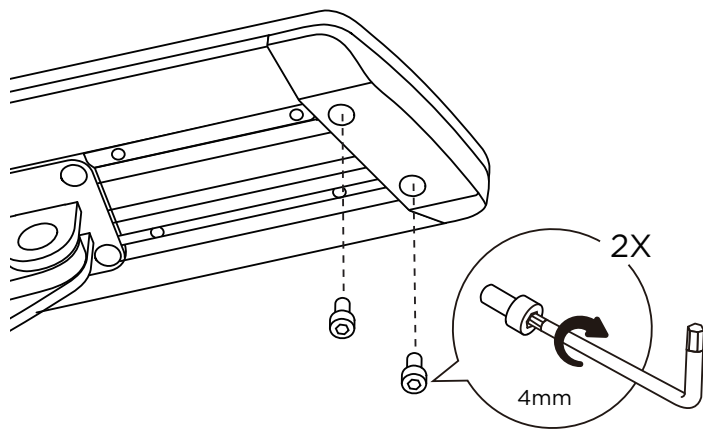


1

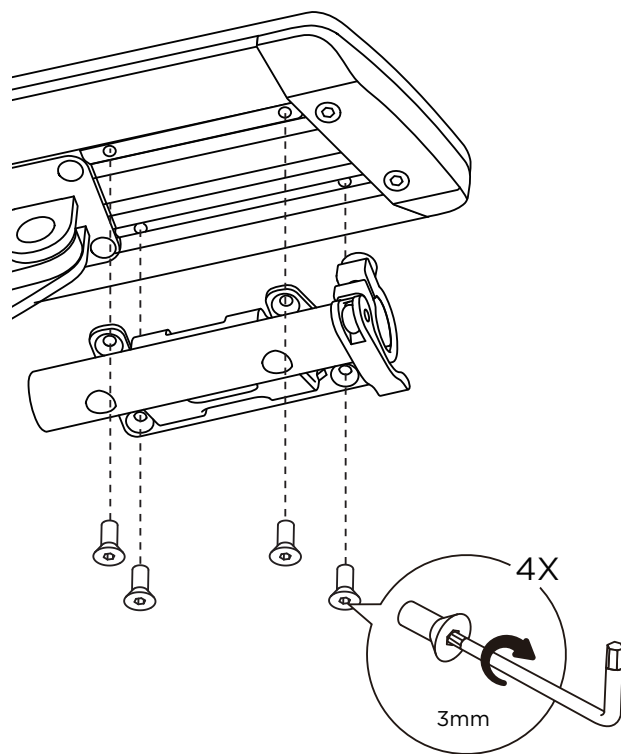




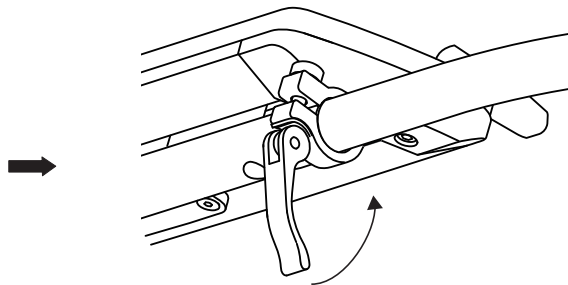
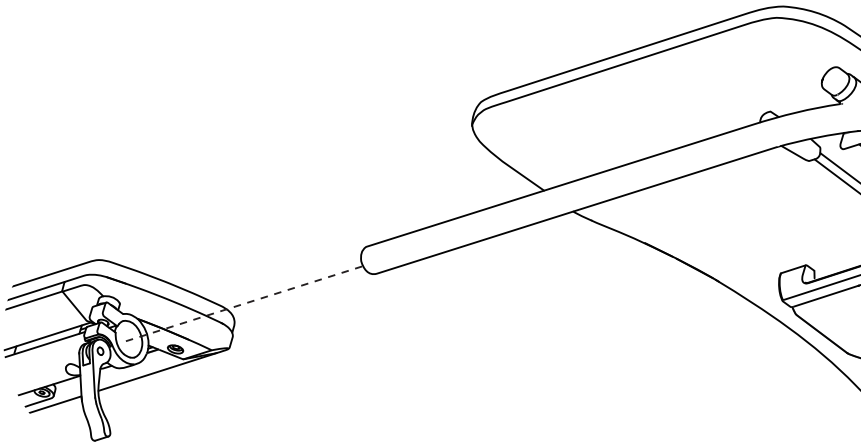
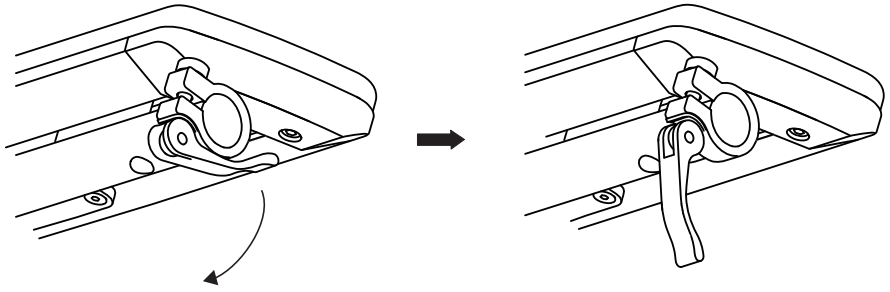




2



3



karma

A Better Wheelchair, A Better Fit

KARMA MEDICAL PRODUCTS CO., LTD.

www.karmamedical.com
T +886-5-206 6688

Email: globalsales@karma.com.tw
F +886-5-206 7788

CE ISO13485

899900000001 Rev.02 Nov.2025