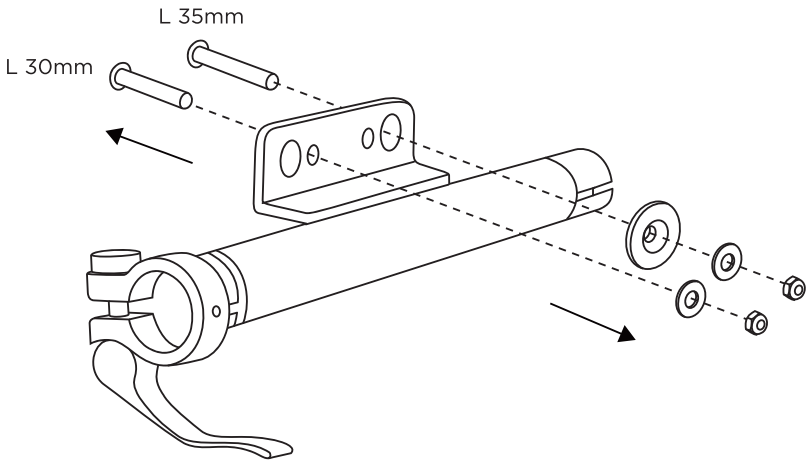
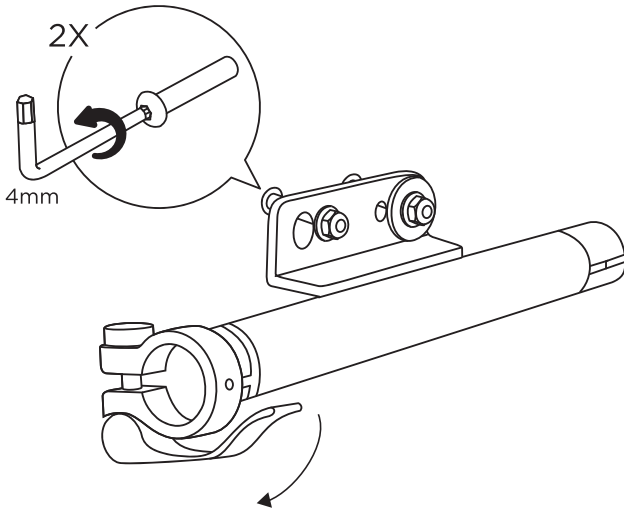
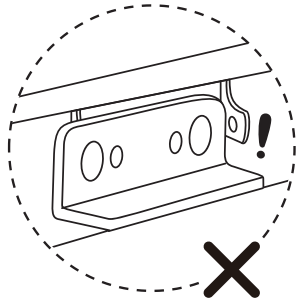
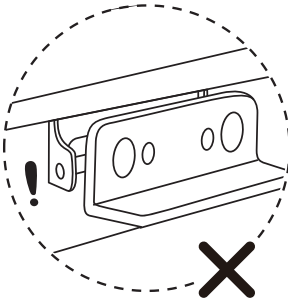
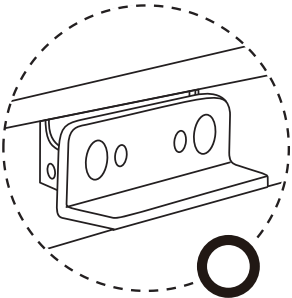
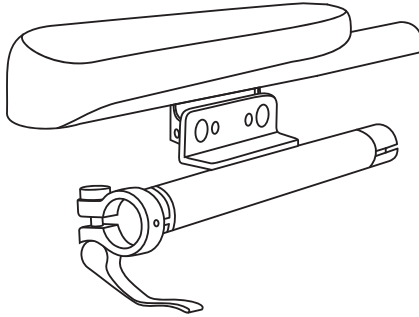
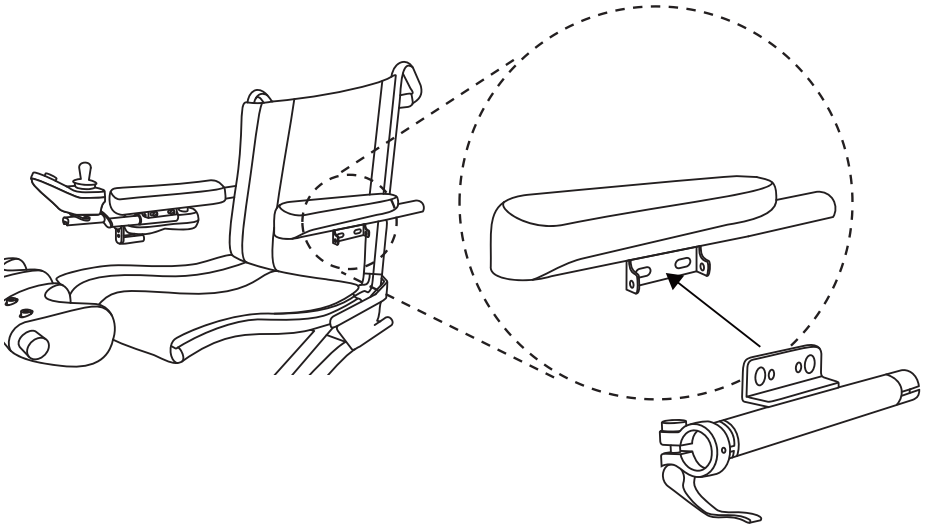
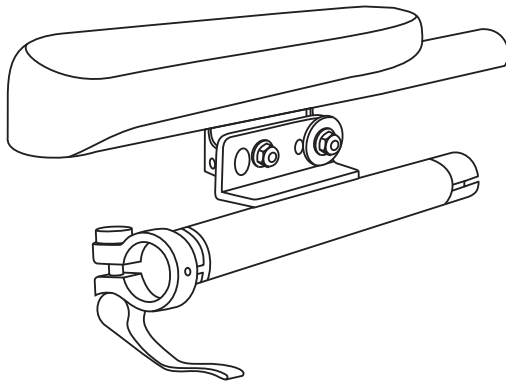
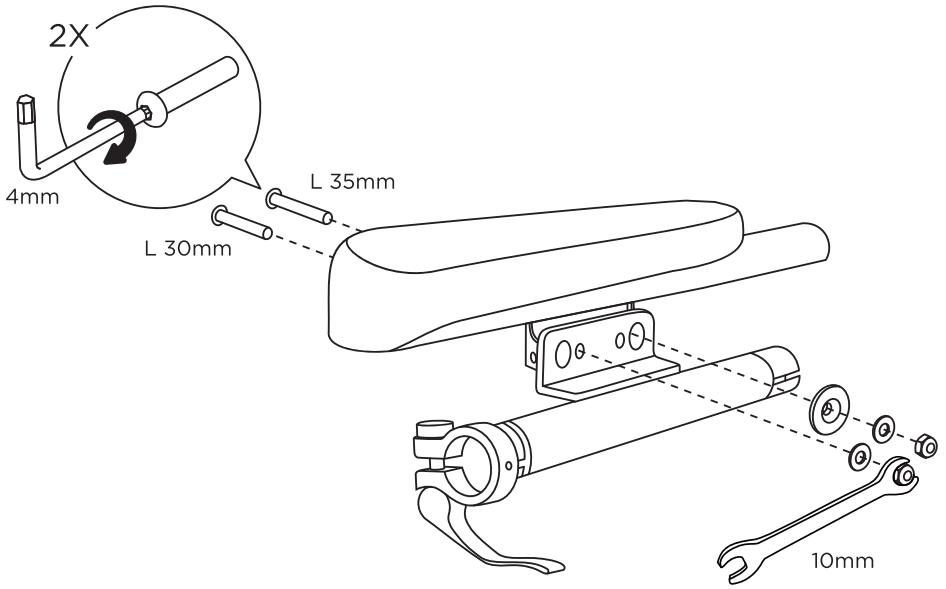


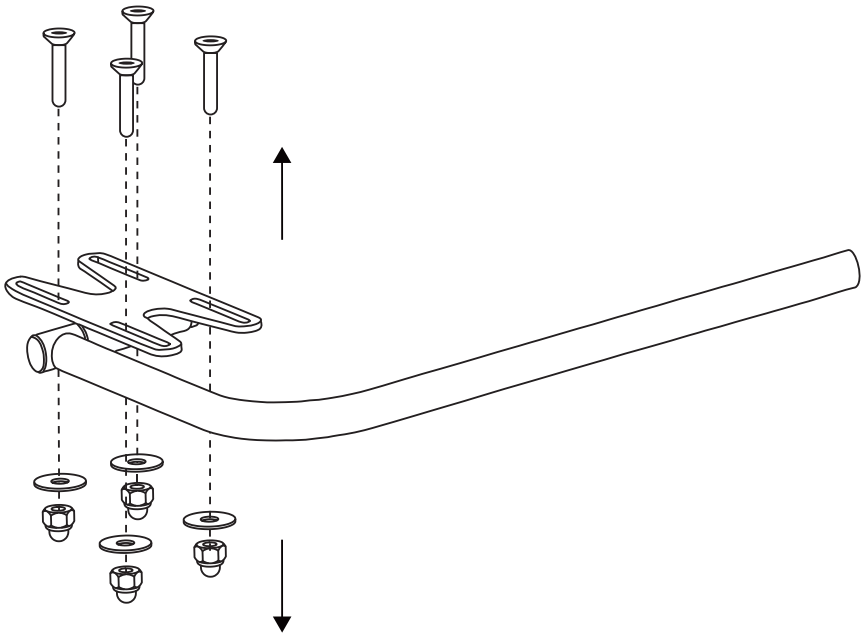
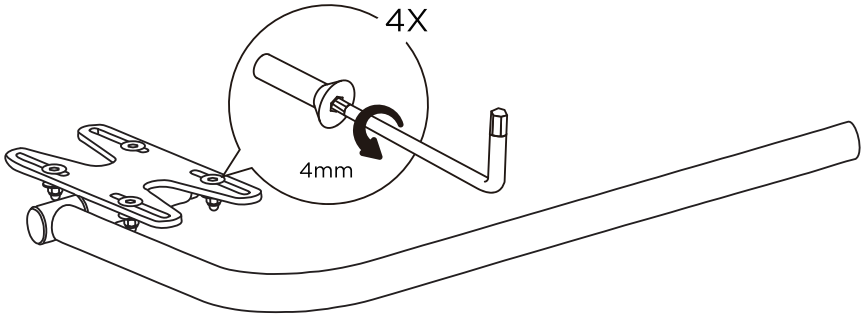
1

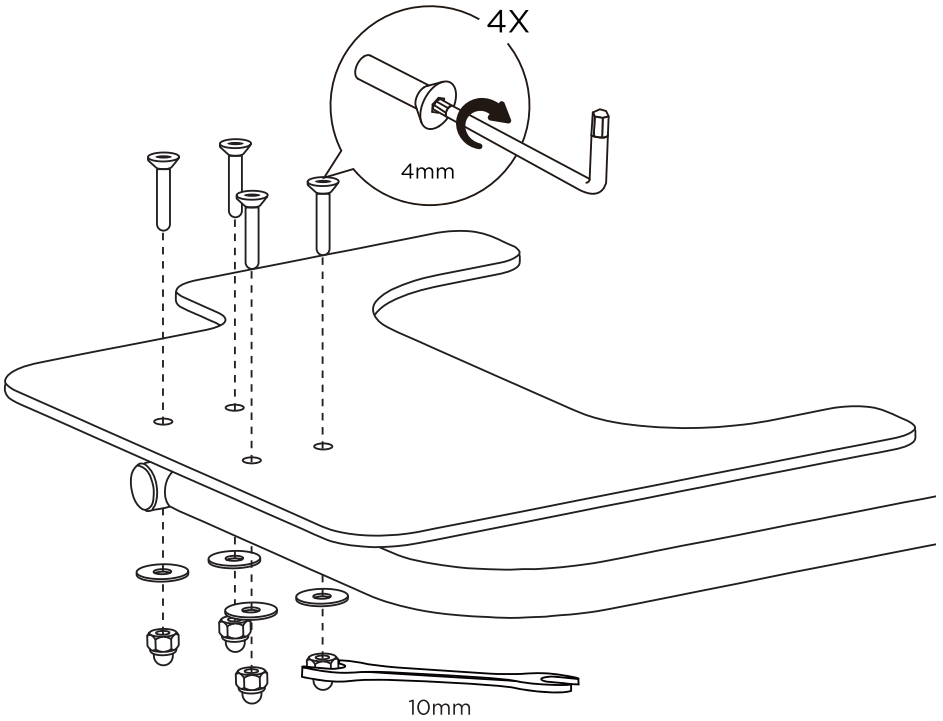
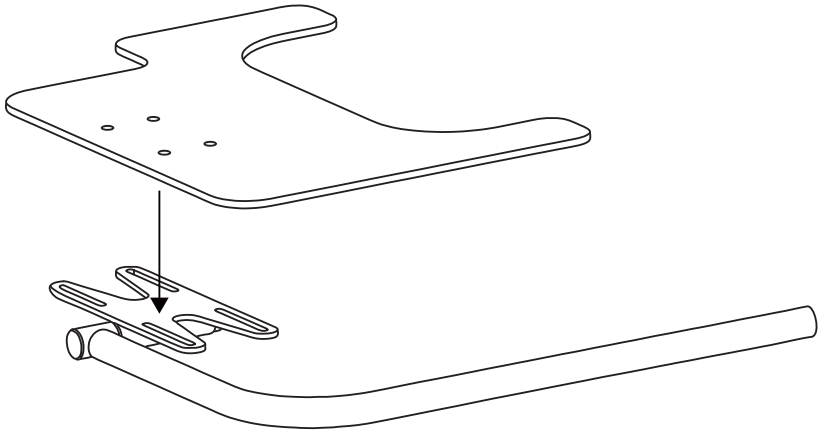




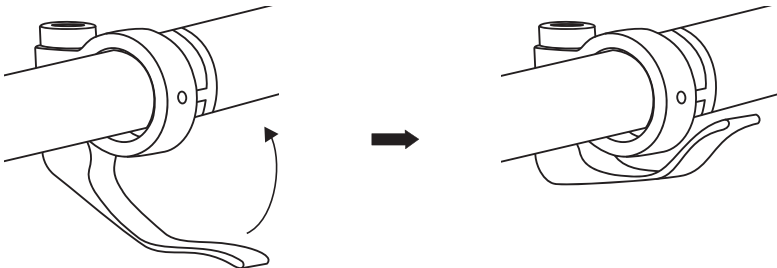
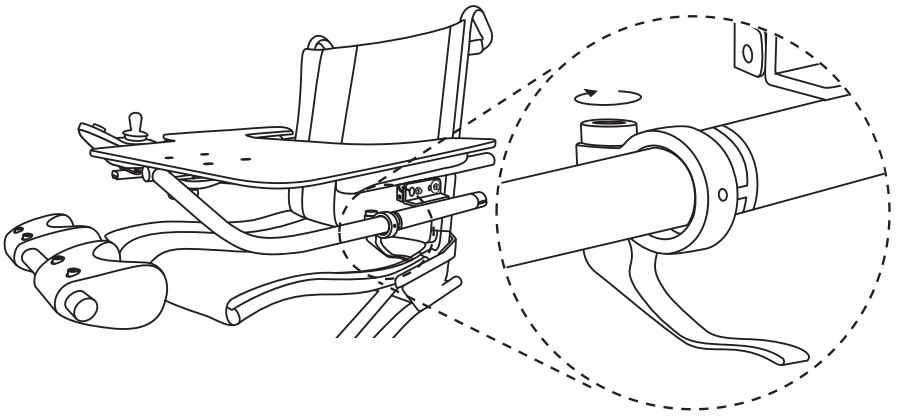
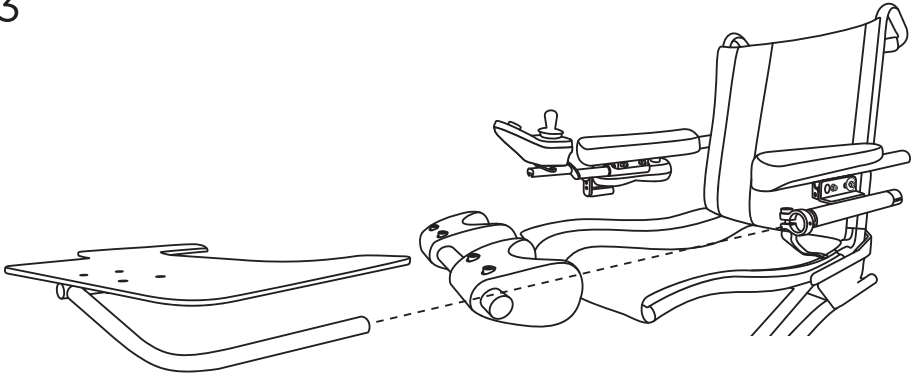


2





3





karma

A Better Wheelchair, A Better Fit

KARMA MEDICAL PRODUCTS CO., LTD.

www.karmamedical.com
T +886-5-206 6688

Email: globalsales@karma.com.tw
F +886-5-206 7788

CE ISO13485

110400001643 Rev.01 Dec.2025