

Flexx Series

Standard Transfer Function

Flip-up armrests and swingaway footrests improve convenience and easier access to the chair.



Adjustable Rear Wheel Axle

By changing the position of the rear wheel axle, you change the handling of the wheelchair. The ideal position is based on the individual's height, weight, strength, and comfort.



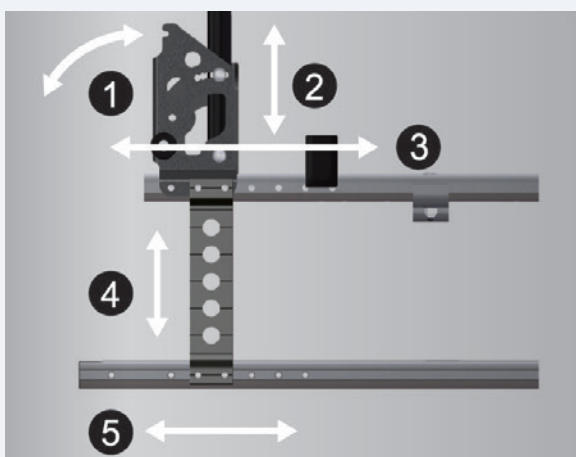
Universal Design

The adjustable features are intuitively designed for easy operation and color coded with a distinct bright color.

Flexx Series

Design Concept

The high degree of flexibility enables providers to create the perfect fit for a wide range of users.



- 1 Backrest angle
- 2 Backrest height
- 3 Seat depth
- 4 Seat to ground height
- 5 Adjustable axle plate
- 6 Seat width
- 7 Front caster
- 8 Rear wheel
- 9 25 Rear wheel positions
- 10 Quick release axle

	Flexx	Flexx S	Flexx Tall	Flexx HD
Adjustable Seat Width				
Adjustable Seat Depth	✓	✓	✓	
Extended Length Seat Depth Option			✓	✓
Adjustable Seat to Back Angle	✓	✓	✓	✓
Height-Adjustable Armrest	✓	✓ Optional	✓	✓
Adjustable Center of Gravity and Seat Height	✓	✓	✓	✓
Max. User Weight (kg)	130	130	130	170
Recline and Tilt				
Crash Test	✓	✓	✓	

Flexx



Fully adjustable for the best comfort and propelling performance.



Flexx S



Entry-level Flexx, featuring fixed-height flip-up armrests and select options and accessories.



Height adjustable flip-up armrests



Optional height adjustable armrest (Flexx S)



Patented Ergonomic Hand Rim

The patented ergonomic hand rim is easy to grip and propel. Flexx also offers an aluminum handrim option.



Options and Accessories

Wide array of optional equipment allow the Flexx to meet the needs of most users.

Flexx / Flexx Tall / Flexx HD

Flexx Tall



Extended seat depth to accommodate taller users.



Extended Length Seat Depth

Flexx HD

Extra durable and upgraded capacity for plus-sized users.



170 KG
Max. User Weight



Scan to learn more about Flexx



Scan to learn more about Flexx S



Scan to learn more about Flexx HD



Scan to learn more about Flexx Tall



Flexx provides versatile options to accommodate individual needs:

Armrest Pads



Ergo Armpads



Boat Armpads



Hemi Armpads

Legrests & Footplates



Biomechanical Elevating Legrests
Offer optimal compensation with adjustable lengths from 38-48 cm.

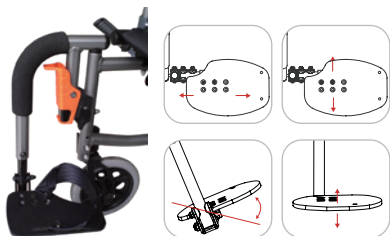


Amputee Supports
Height, angle, and depth adjustable



Aluminium Footplates
Flip-up, with heel loops

Legrests & Footplates



Vertical Footrests
Suitable for users with shorter legs and/or limited knee extension; height adjustability ensures a stable support surface to maintain proper positioning.



Angle Adjustable Footplate
Adjustable from 70°-110°

Backrest & Seat



Seat Depth Extension Tubes
Allows for quick and easy seat depth adjustments.

Backrest & Seat



Foldable Backrest
Reduces the overall size of the wheelchair during transport or storage.



Adjustable Backrest Height
Backrest height can be adjusted between 38 - 53 cm.



Tension Adjustable Backrest Upholstery
Enables personalized back support to maximize comfort and stability, especially for users with spinal conditions or postural needs.

Caster Forks



Standard Forks



Stylish Forks



2" Wide Forks

Casters



5"

6"

7"

8"

8"x2"

Headrest



Foldable Headrest

Universal height, depth, and angle-adjustable headrest that can fold with the wheelchair.

Rear Wheels



14"

20"

22"

24"



Quick Release Axles

Tool-free quick-release rear wheels reduce transport weight and portability.

Brakes



Attendant Brakes

Allows attendant to operate the brakes without bending over to reach the wheel locks.

Safety Options



Tie-Down Brackets

Four-point tiedown securement points for using the wheelchair as a seat in a motor vehicle, in accordance with ISO 7176-19.



Height Adjustable Swingaway Anti-Tippers

The foot-operated swingaway function allows attendants to easily disengage or reengage the anti-tippers when navigating obstacles — making outings safer, smoother, and more convenient.

Series	Product Name	Nominal seat width (mm)	Nominal seat depth (mm)	Front caster / Rear wheel size (in)	Seat surface height at front edge (mm)	Backrest height (mm)	Armrest to seat distance (mm)	Footrest to seat distance (mm)	Backrest angle (X°)	Seat plane angle (X°)	
Flexx	Flexx Tall	395 / 420 / 445 / 470	510 / 535	7/8 x 24	460 - 530	430 / 510	205 - 285	330 - 430	11	5 - 8	
		395 / 420 / 445 / 470		7/8 x 14						5 - 7	
	Flexx HD	500	390 - 490	7/8 x 24	460 - 530	430 / 510	215 - 295	370 - 475	12	6	
		550									
		600									
		500		7/8 x 14			210 - 290	360 - 470	13		7
		550									
		600									

Leg to seat angle (X°)	Maximum user weight (kg)	Mass of the heaviest part (kg)	Total mass (kg)	Overall length with legrest (mm)	Overall width (mm)	Overall height (mm)	Folded length (mm)	Folded width (mm)	Folded height (mm)
98	130	10.5 - 11.1	17.5 - 18.1	1130 - 1165	605 / 630 / 655 / 680	1000 - 1040	955 - 1115	340	700 - 950
			16.7 - 17.3		645 / 670 / 695 / 720	975 - 1000	855 - 1115		
98	170	11.3 - 12.1	18.1 - 19.5	1100 - 1220	720	930 - 960	1050 - 1130	320 - 330	740 - 835
					770				
					820				
		14.1 - 14.9	17.4 - 18.8	1080 - 1200	680	920 - 950			
					730				
					780				

Rev.04 Jun . 2025

KARMA MEDICAL PRODUCTS CO., LTD.
T +886-5-206 6688
Email : globalsales@karma.com.tw

karma
www.KarmaMedical.com